



HUWS GRAY

Standard Truss Enquiry

Customer Details

Account Number: _____

Customer Name: _____

Address: _____

Post Code: _____

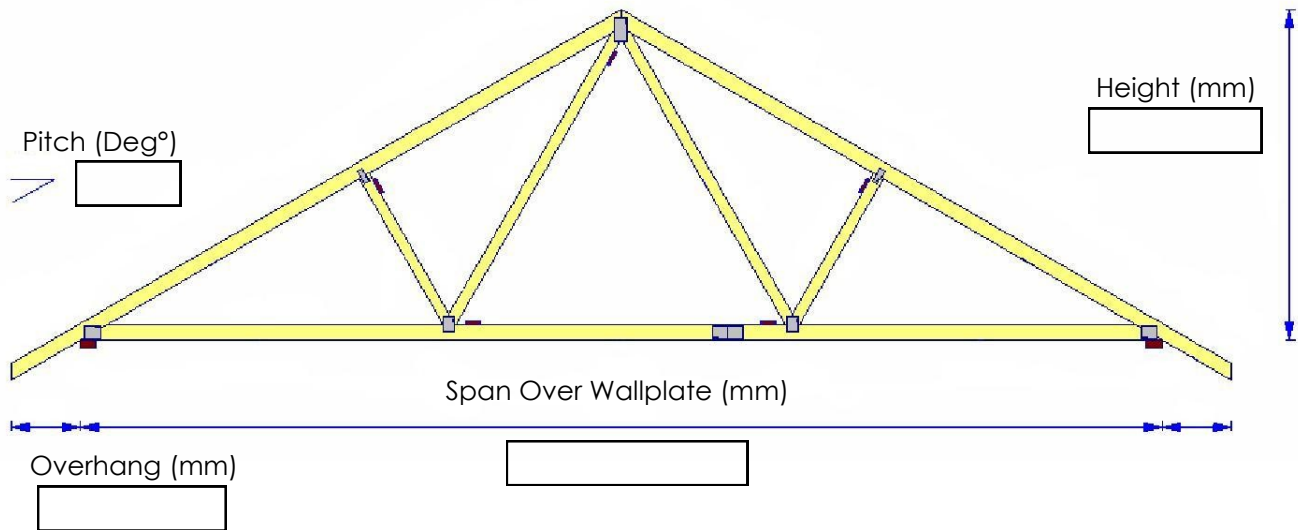
Telephone Number/s: _____

Site Details

Address: _____

Post Code: _____

Additional Details: _____



Centres the trusses spaced at: 400mm 450mm 600mm

Trusses Required / Length of the building: _____

Roof Covering: (Tiles, Slates) _____

Metalwork Required: Yes No

Additional Details: (Water tanks, Hoist loadings, Gable Ladders etc)



HUWS GRAY

Cantilever Truss Enquiry

Customer Details

Account Number: _____

Customer Name: _____

Address: _____

Post Code: _____

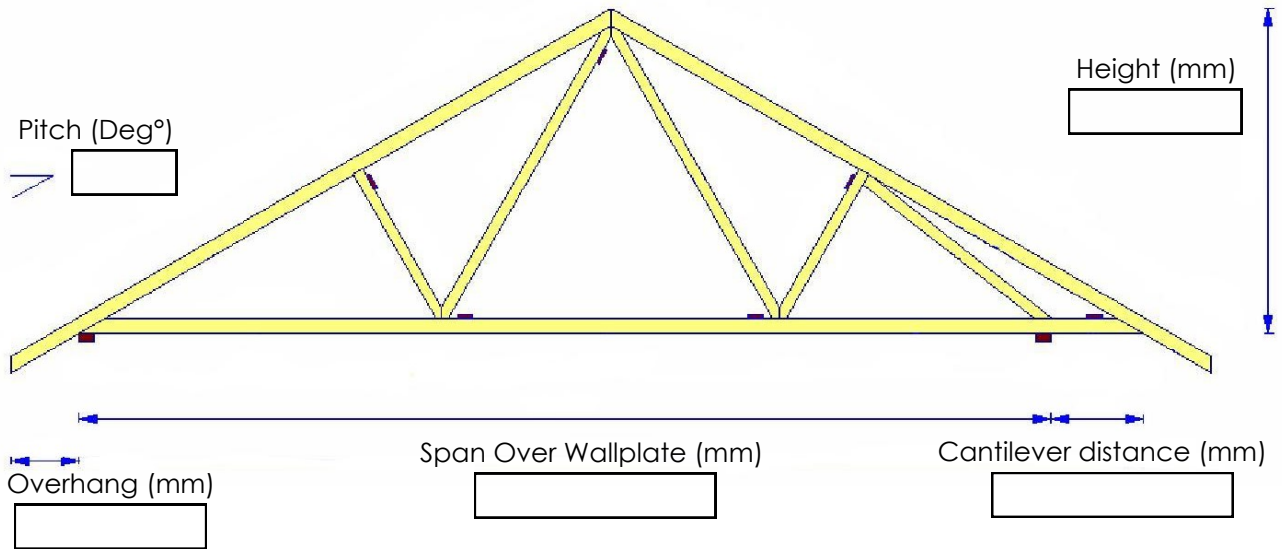
Telephone Number/s: _____

Site Details

Address: _____

Post Code: _____

Additional Details: _____



Centres the trusses spaced at: 400mm 450mm 600mm

Trusses Required / Length of the building: _____

Roof Covering: (Tiles, Slates) _____

Metalwork Required: Yes No

Additional Details: (Water tanks, Hoist loadings, Gable Ladders etc)



HUWS GRAY

Attic Truss Enquiry

Customer Details

Account Number: _____

Customer Name: _____

Address: _____

Post Code: _____

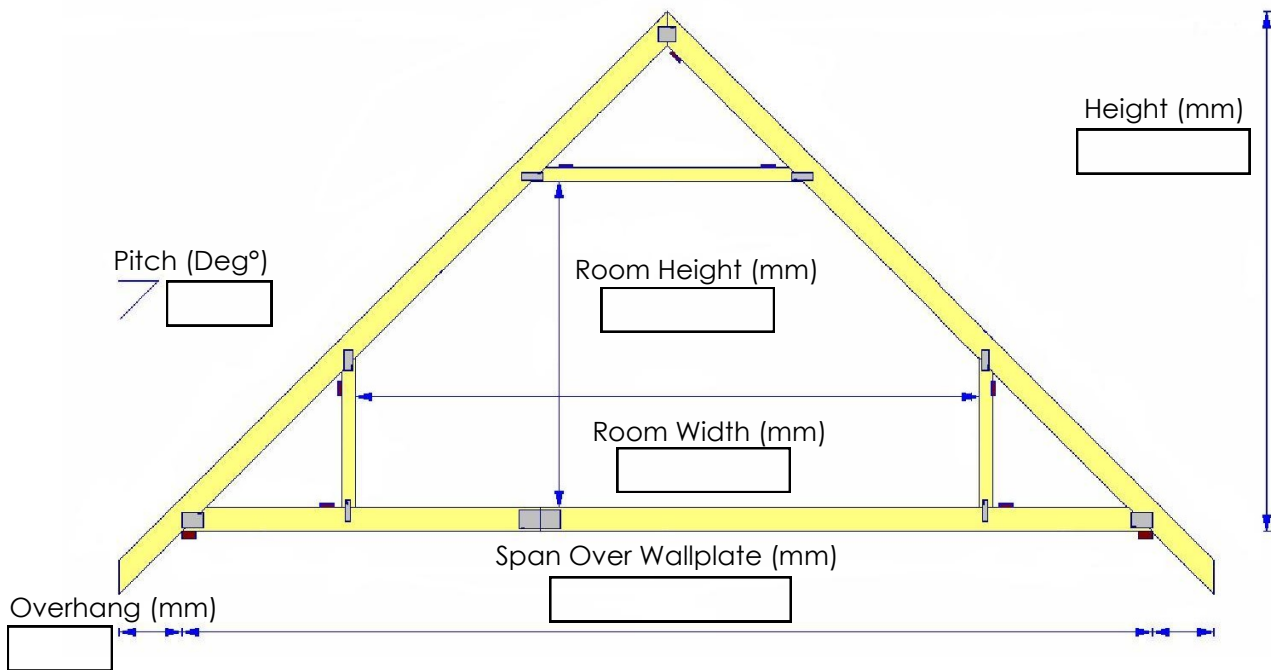
Telephone Number/s: _____

Site Details

Address: _____

Post Code: _____

Additional Details: _____



Centres the trusses spaced at: 400mm 450mm 600mm

Trusses Required / Length of the building: _____

Roof Covering: (Tiles, Slates) _____

Metalwork Required: Yes No

Additional Details: (Rooflights (size and location), Access to roof space, Water tanks, Hoist loadings, Gable Ladders etc)



HUWS GRAY

Raised Tie Truss Enquiry

Customer Details

Account Number: _____

Customer Name: _____

Address: _____

Post Code: _____

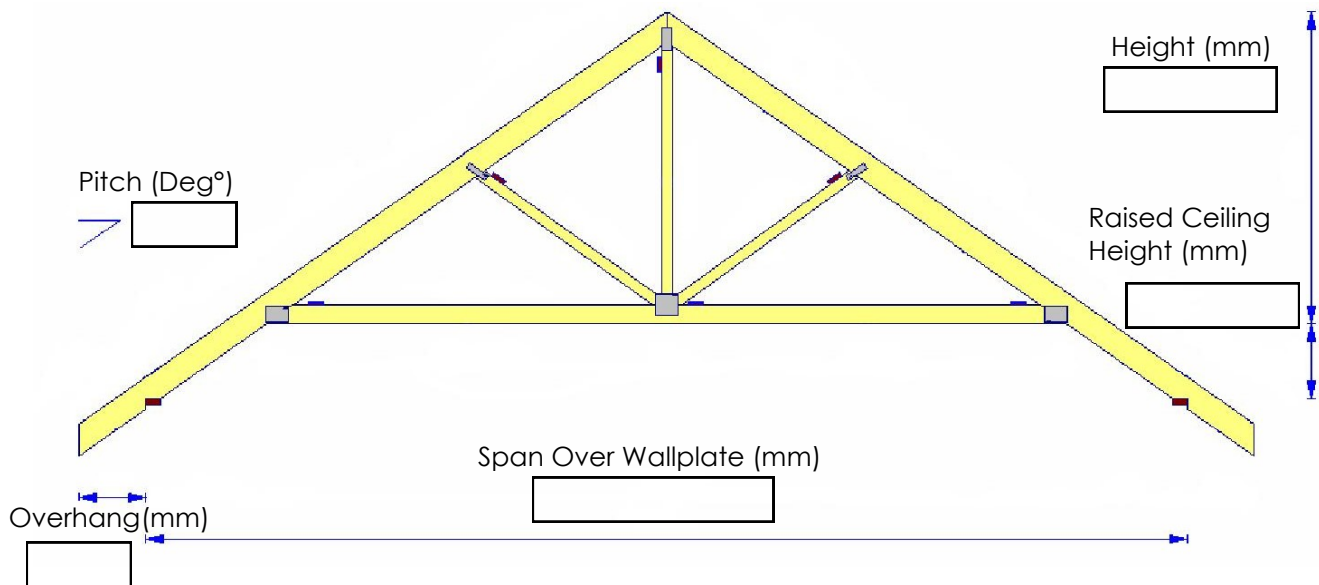
Telephone Number/s: _____

Site Details

Address: _____

Post Code: _____

Additional Details: _____



Centres the trusses spaced at: 400mm 450mm 600mm

Trusses Required / Length of the building: _____

Roof Covering: (Tiles, Slates) _____

Metalwork Required: Yes No

Additional Details: (Water tanks, Hoist loadings, Gable Ladders etc)



HUWS GRAY

Bobtail Truss Enquiry

Customer Details

Account Number: _____

Customer Name: _____

Address: _____

Post Code: _____

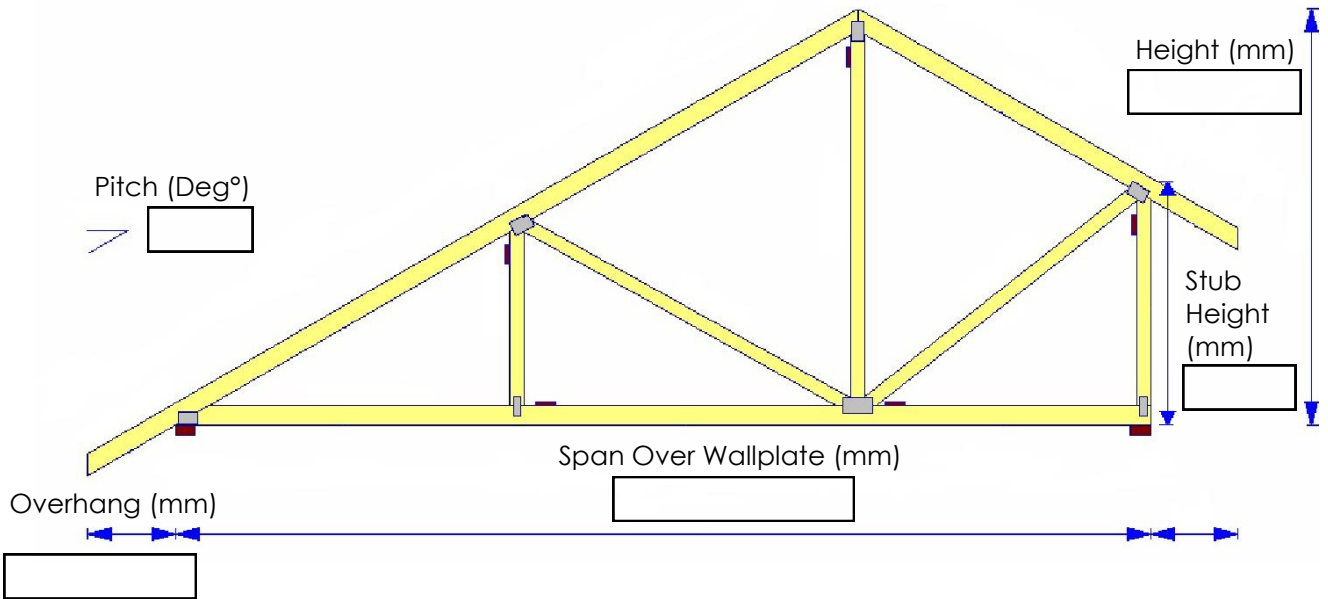
Telephone Number/s: _____

Site Details

Address: _____

Post Code: _____

Additional Details: _____



Centres the trusses spaced at: 400mm 450mm 600mm

Trusses Required / Length of the building: _____

Roof Covering: (Tiles, Slates) _____

Metalwork Required: Yes No

Additional Details: (Water tanks, Hoist loadings, Gable Ladders etc)



HUWS GRAY

Mono Truss Enquiry

Customer Details

Account Number: _____

Customer Name: _____

Address: _____

Post Code: _____

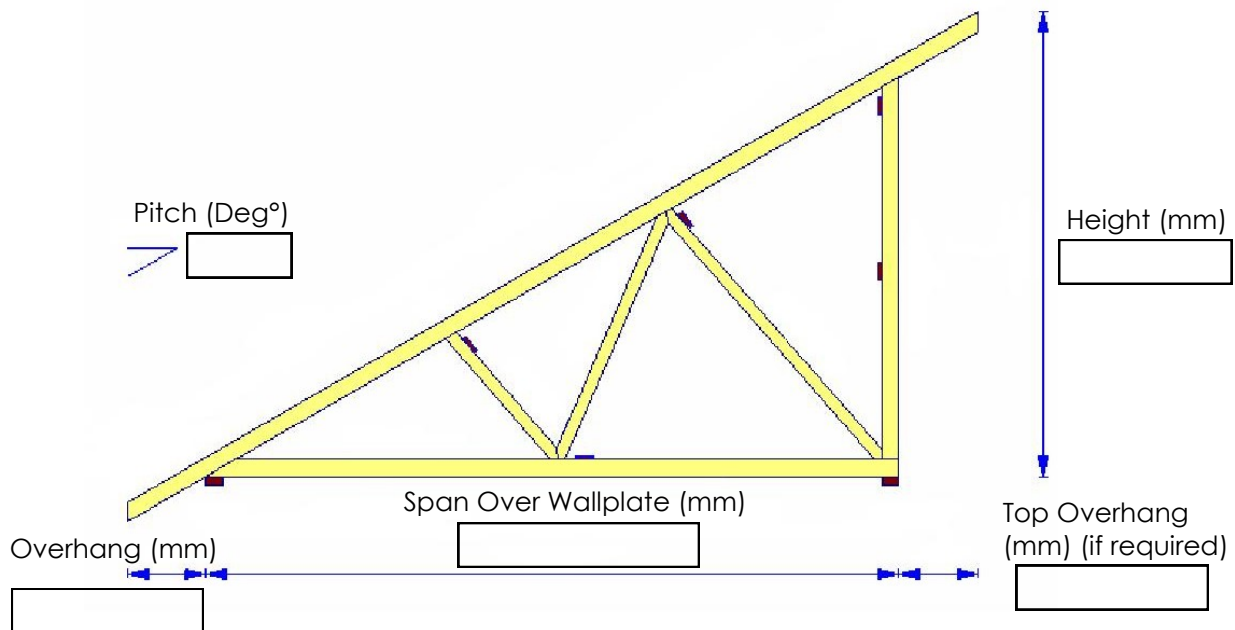
Telephone Number/s: _____

Site Details

Address: _____

Post Code: _____

Additional Details: _____



Centres the trusses spaced at: 400mm 450mm 600mm

Trusses Required / Length of the building: _____

Roof Covering: (Tiles, Slates) _____

Metalwork Required: Yes No

Additional Details: (Water tanks, Hoist loadings, Gable Ladders etc)

